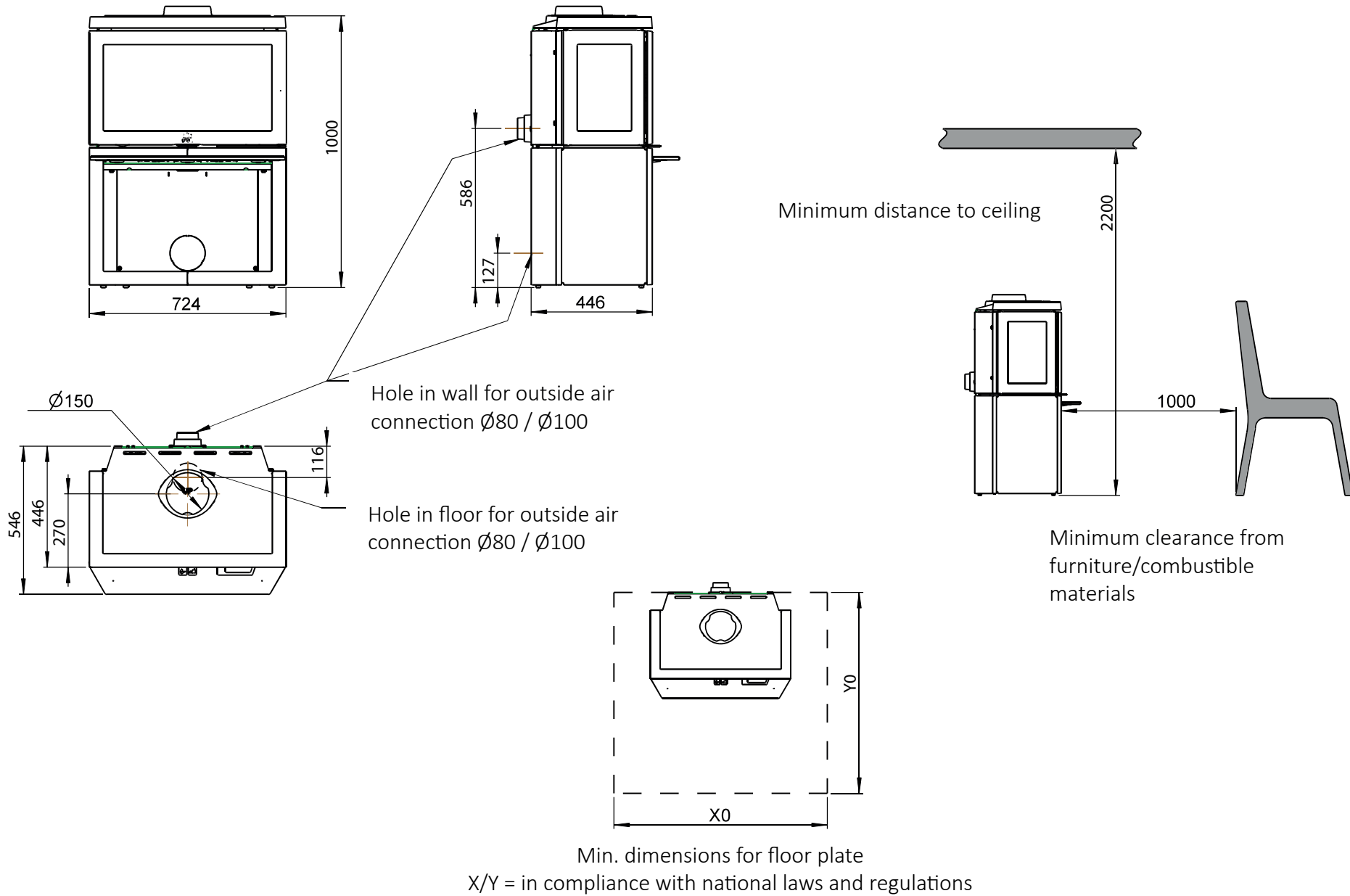
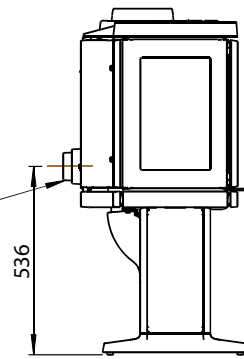
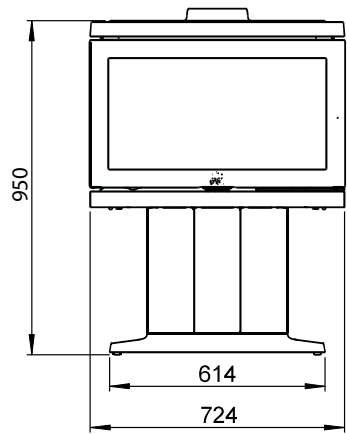


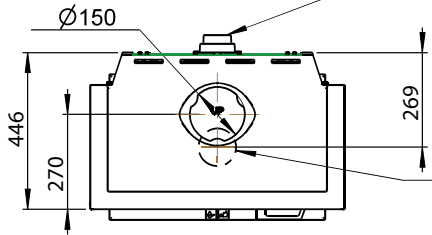
JØTUL F 620 B



JØTUL F 620 P

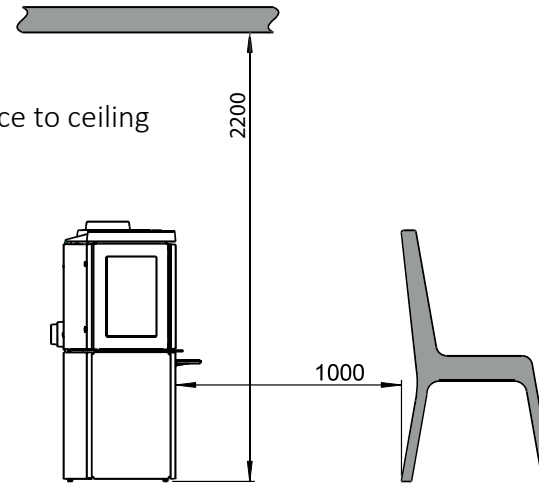


Hole in wall for outside air connection
Ø80 / Ø100

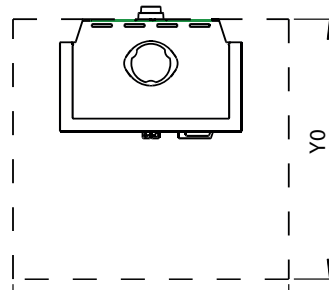


Hole in floor for outside air connection
Ø80 / Ø100

Minimum distance to ceiling

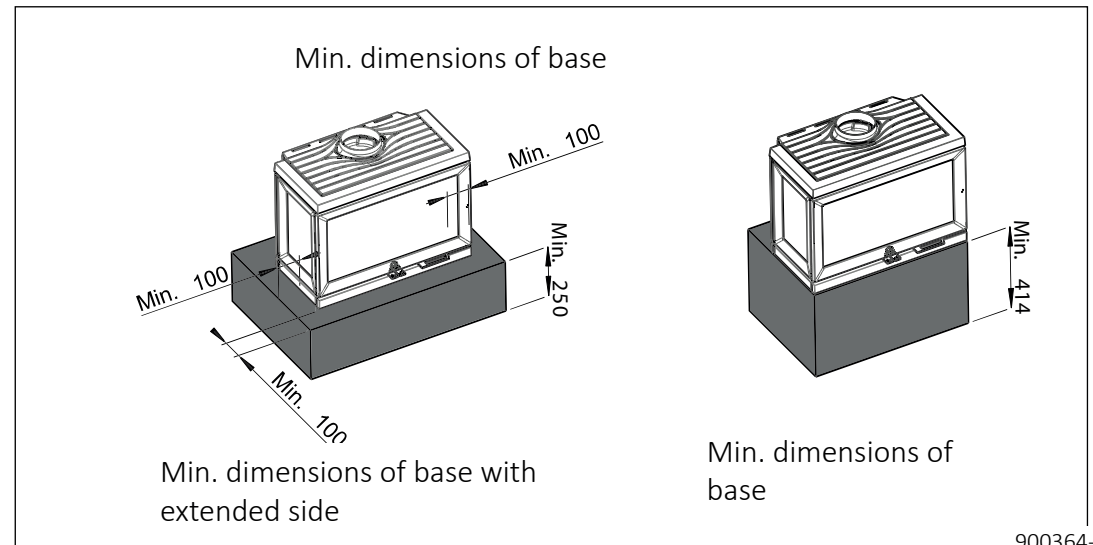
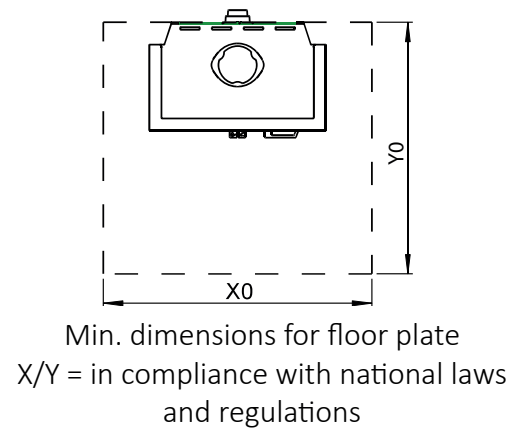
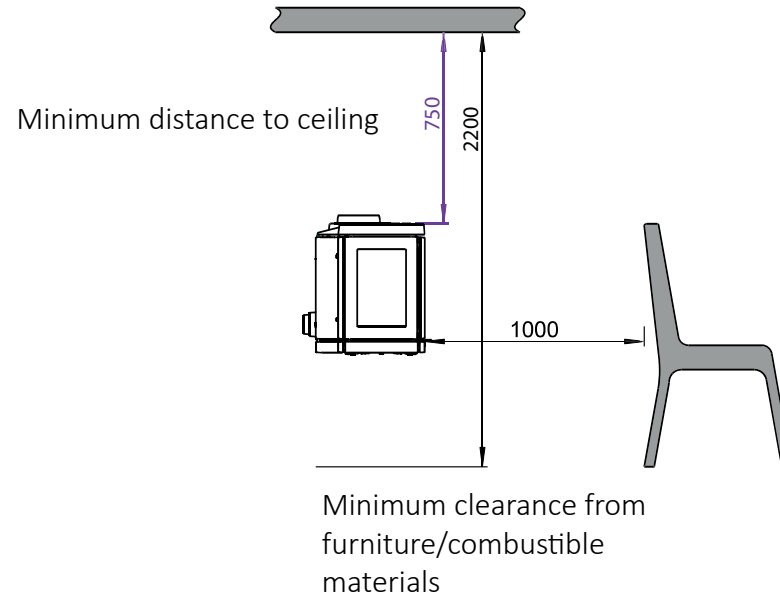
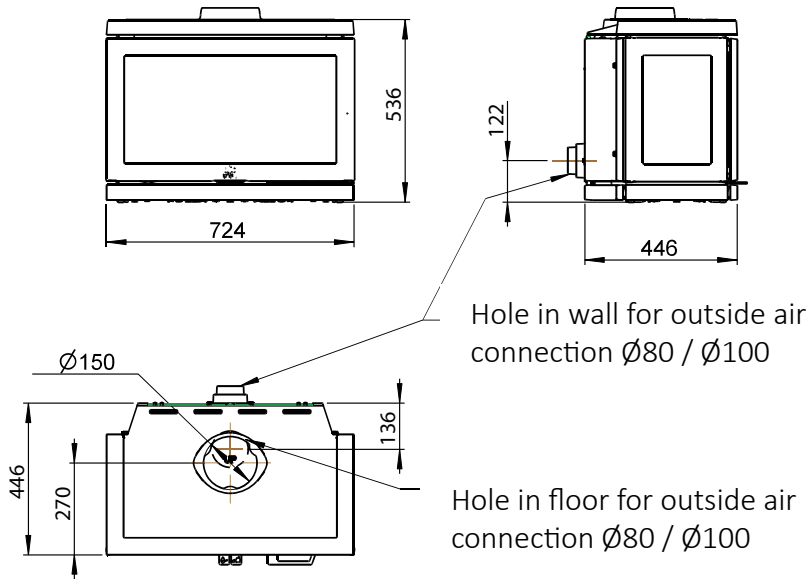


Minimum clearance from
furniture/combustible
materials

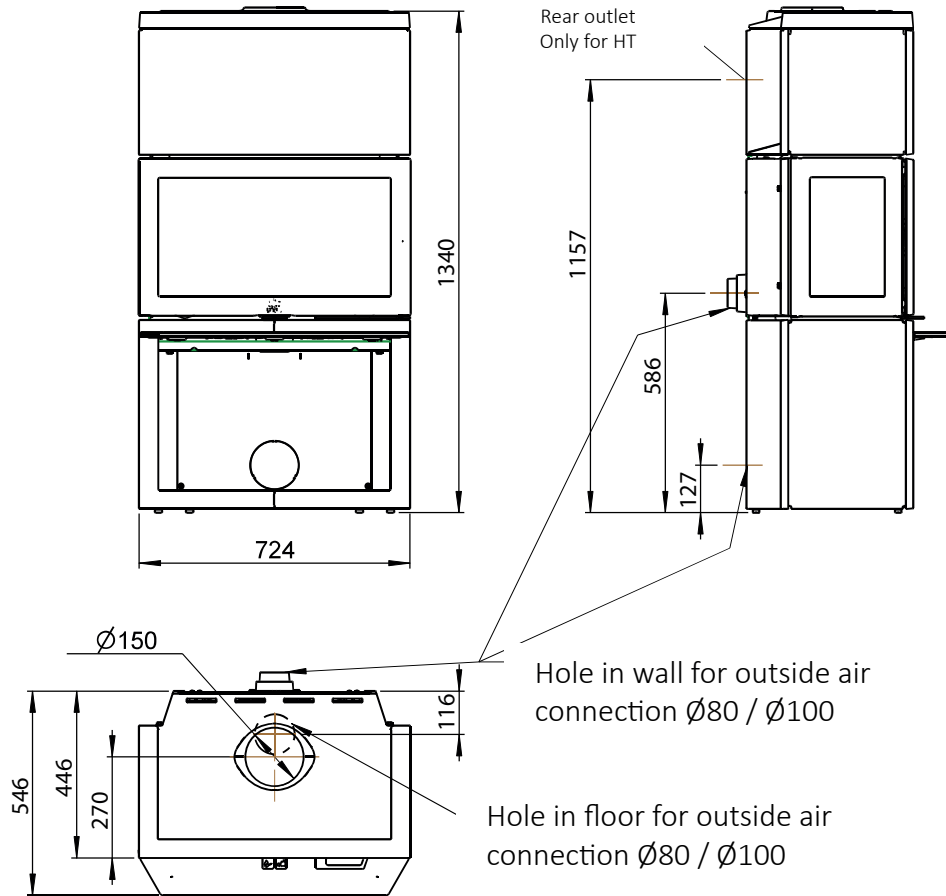


Min. dimensions for floor plate
X/Y = in compliance with national laws and regulations

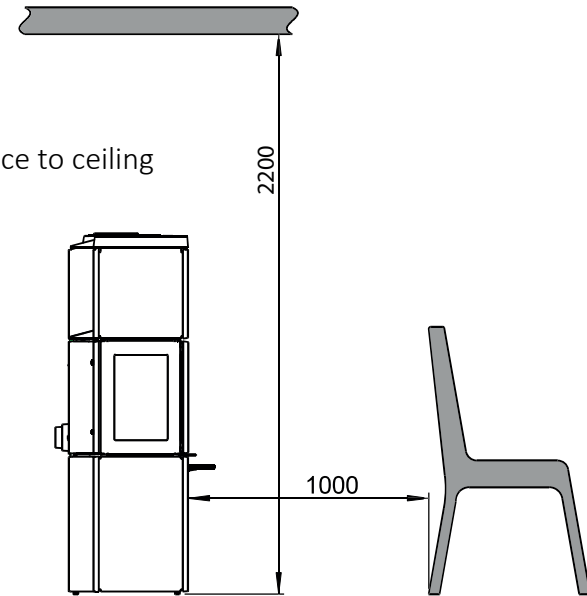
JØTUL F 620 LB



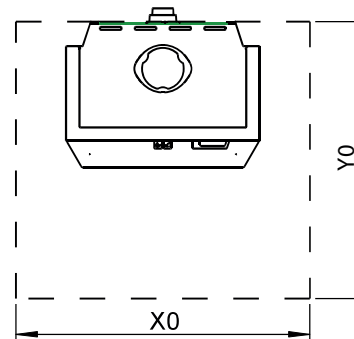
JØTUL F 620 HT



Minimum distance to ceiling




Minimum clearance from furniture/combustible materials



Min. dimensions for floor plate
X/Y = in compliance with national laws
and regulations

F 620: Minimum distance to combustible wall

With semi-insulated chimney/shielded flue pipe all the way down to the product

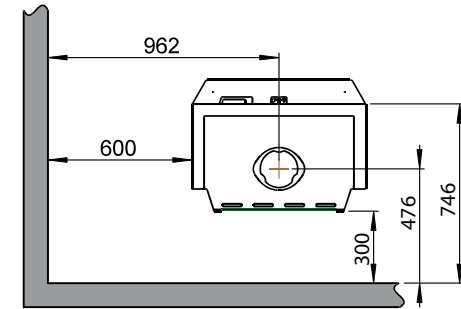
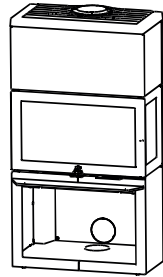
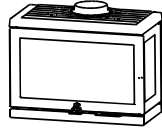
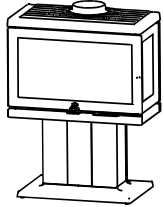
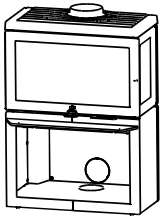
 Combustible wall

F 620 B

F 620 P

F 620 LB

F 620 B HT

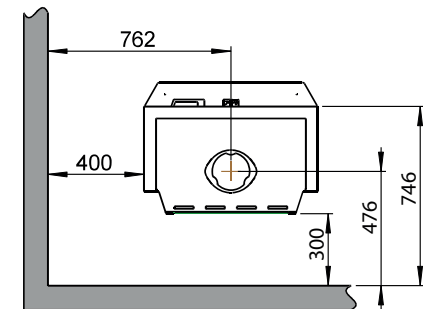
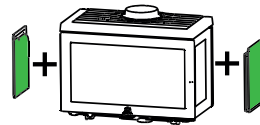
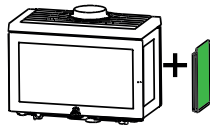
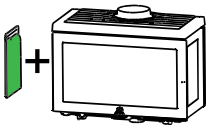


F 620 B / F 620 P / F 620 LB / F 620 B HT
- With retrofitted cast iron side

FR

FL

F

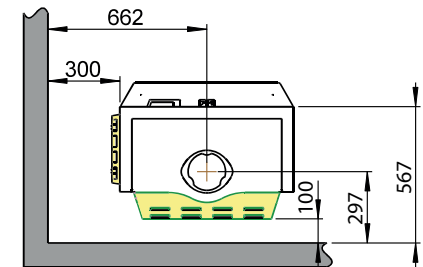
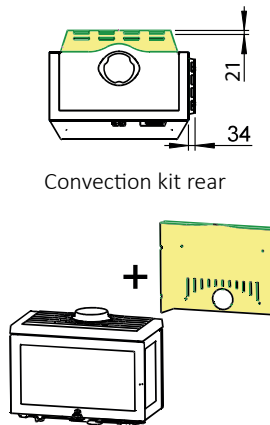
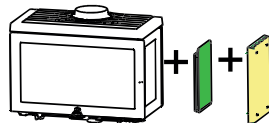
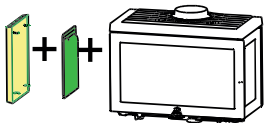


F 620 B / F 620 P / F 620 LB / F 620 B HT
- With retrofitted cast iron side and convection kit side
- With retrofitted convection kit rear

FR
Convection kit side

FL
Convection kit side

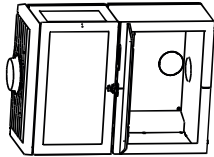
Convection kit rear



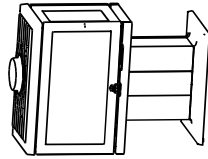
Combustible wall
Firewall (See Chapter 3.3 in the manual)

F 620: Minimum distance to combustible wall protected by approved fireproof wall

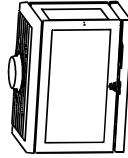
F 620 B



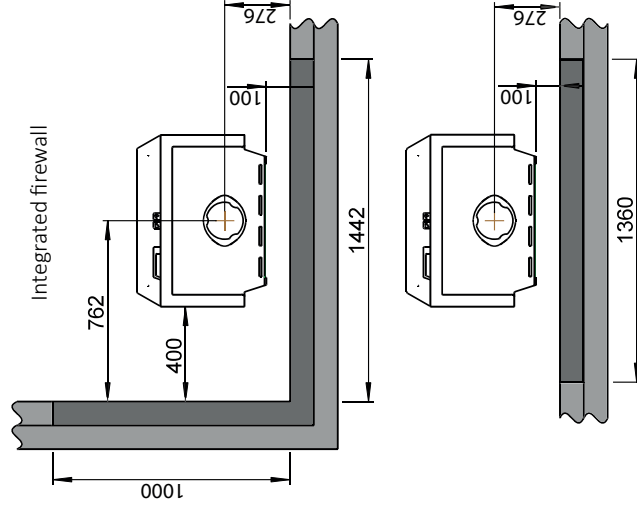
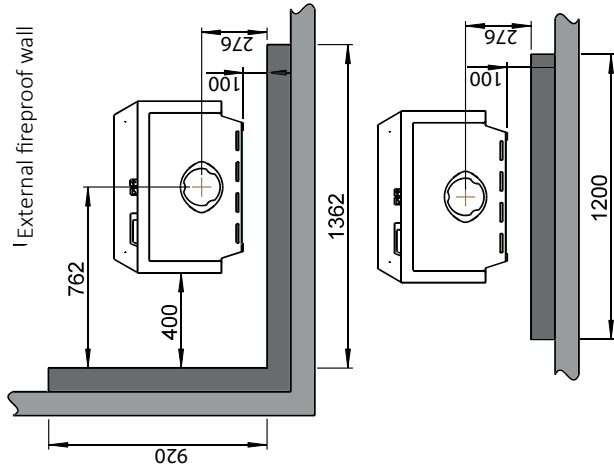
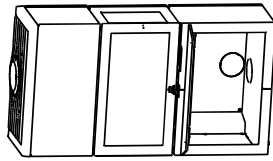
F 620 P



F 620 LB



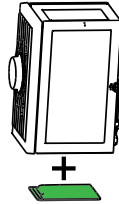
F 620 B HT



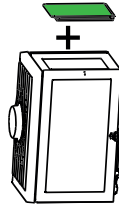
F 620 B / F 620 P / F 620 LB / F 620 HT

- With retrofitted cast iron side

FR



FL



F

